

I Application

A flat sight glass consists of a glass fastened by means of a sanitary DIN union. Sight glasses are fitted to tanks to enable the inspection of the product, level, process, etc. They are widely used in the food-processing, cosmetics, pharmaceutical and fine chemicals industries.

I Technical specifications

Materials:

Casing	1.4404 (AISI 316L)
Glass	Borosilicate accordance to DIN 7080
Adapter gasket	EPDM accordance to FDA 21 CFR 177.2600 and the Regulation (EC) n° 1935/2004
Glass support gasket	PTFE

Internal surface finish	Sanitary polish, $Ra \leq 0,8 \mu m$
External surface finish	Matt

Glass attachment	DIN sanitary union
------------------	--------------------

Available sizes

DIN EN 10357 serie A (previously DIN 11850 series 2)	DN 25 - DN 150
---	----------------

Connections	Weld
-------------	------

Maximum working temperature:

Gasket	EPDM	-10 °C to +120°C	14 °F to 248 °F
Glass	Borosilicate	280 °C	536 °F



I Technical specifications

Max. working pressure [bar]:

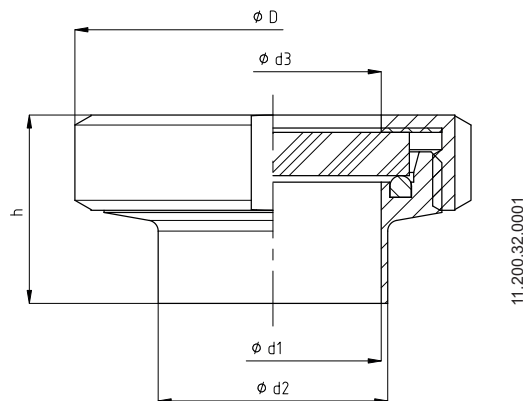
DN	25	32	40	50	65	80	100	125	150
Sight glass with borosilicate glass	40	25	16	16	16	16	10	10	10

(Pressures for $T \leq 140^{\circ}\text{C}$)

I Options

Gaskets: FPM accordance to FDA 21 CFR 177.2600 and the Regulation (EC) n° 1935/2004.

I Dimensions



DN	Dimensions (mm)					Weight (kg)
	Ød1	Ød2	Ød3	ØD	h	
25	26	29	26	63	37,5	0,4
32	32	35	32	70	40,5	0,5
40*	38	41	38	78	41,5	0,6
50	50	53	50	92	43,0	0,8
65	66	70	66	112	50,5	1,3
80	81	85	81	127	58,5	1,9
100*	100	104	100	148	67,0	2,5
125	125	129	125	178	62,5	3,9
150	150	154	150	210	66,5	5,9

* The glass does not comply with DIN 7080 regulations

